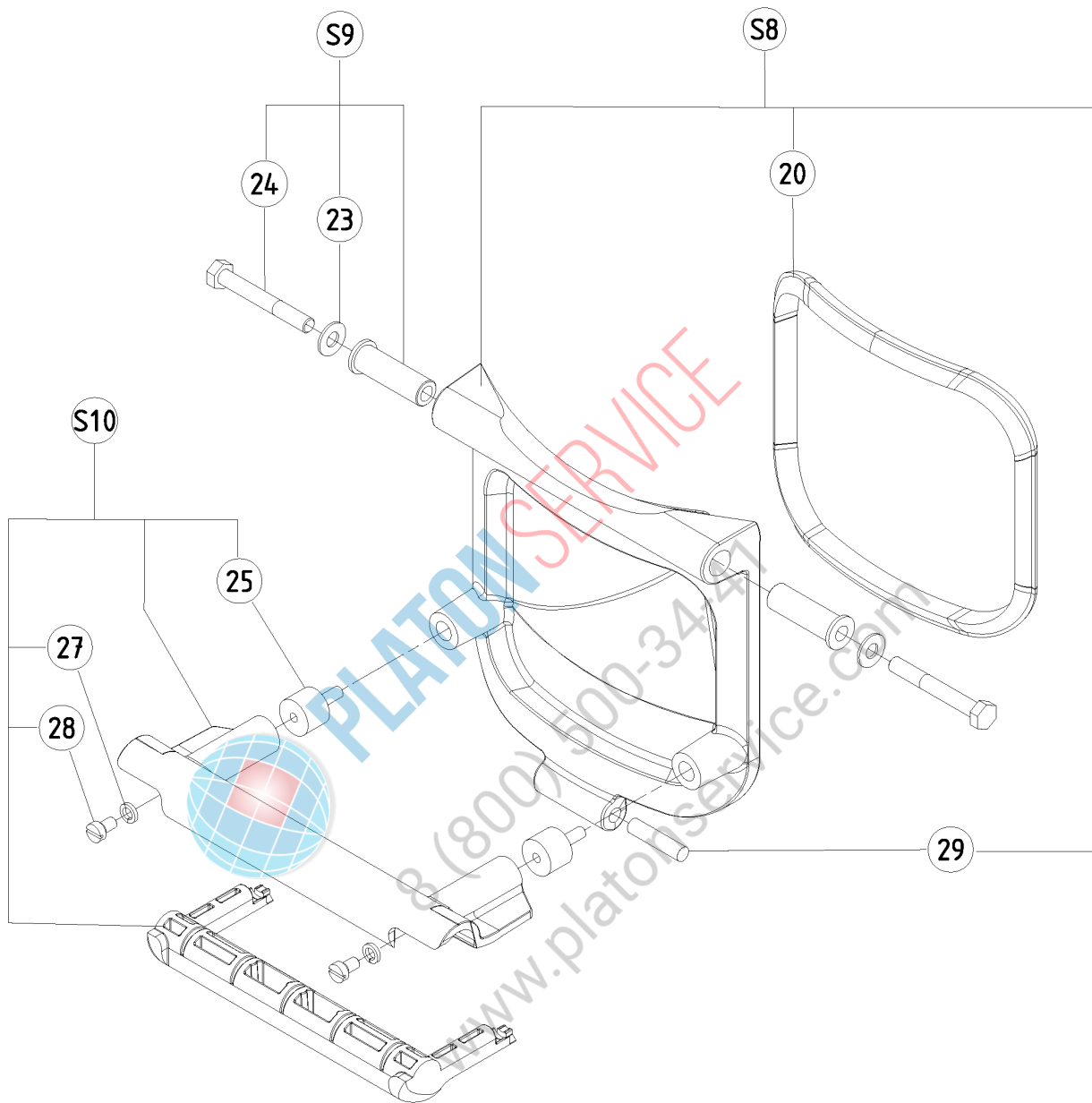


**Vue éclatée S/E Porte / Exploded view door S/A /  
Explosionszeichnung ZB Tür / Esploso Porta / Despiece\_\_\_\_\_**

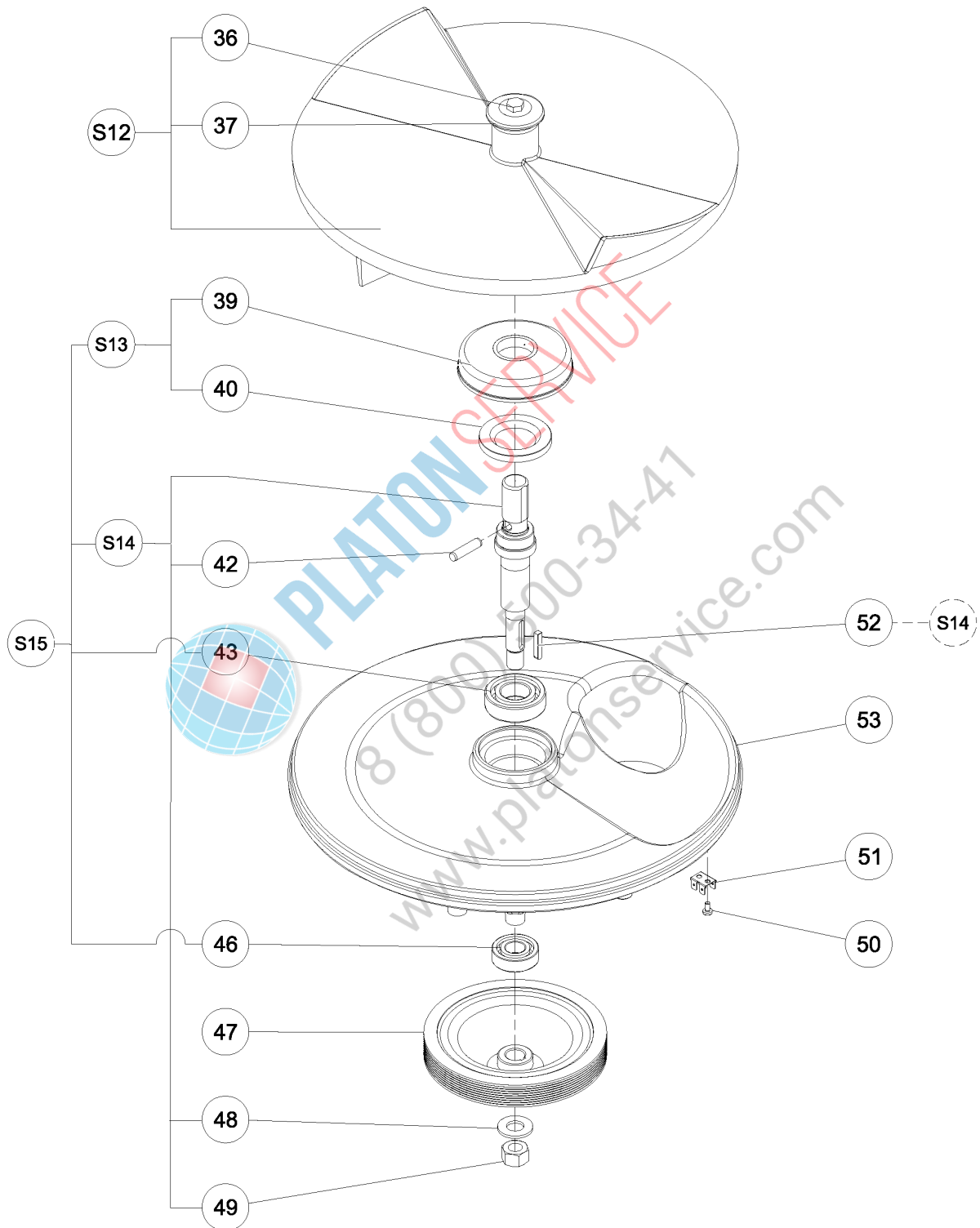


??????	603342								
??????	SPT10ET15E	???????? 2					Exploded view door S/A		
.		Alias		S			.		(Euro)
0020	0D5271			S				DOOR GASKET; CPL -T10E-T15E	67,74
0023	0D0632							WASHER CS M8 (SET OF 10 PCS)	20,88
0024	0D5273							SCREW; TH 8*60; 10 PCS	38,26
0025	0D5275			S				MIXED THRUST; DIA 20*15 M6; 2 PCS	32,52
0027	0D0530							WASHER; 10 PCS	18,72
0028	0D5276							SCREW; TC M6*10 T10-15E; 10 PCS	20,88
0029	0KJ062			S	A			MAGNET; 8X35	9,90
00S8	0D5272			S				DOOR ASSEMBLY; T10 T15	269,76
00S9	0D5274			S				HINGE SHAFT; DOOR; 2 PCS	44,11
0S10	0D5277			S				DOOR HANDLE; CPL; T10-15E	48,19



PLATON SERVICE  
8 (800) 500-34-47  
www.platonservice.com

# Vue éclatée Mécanisme / Exploded view Mechanism / Explosionszeichnung Getriebe

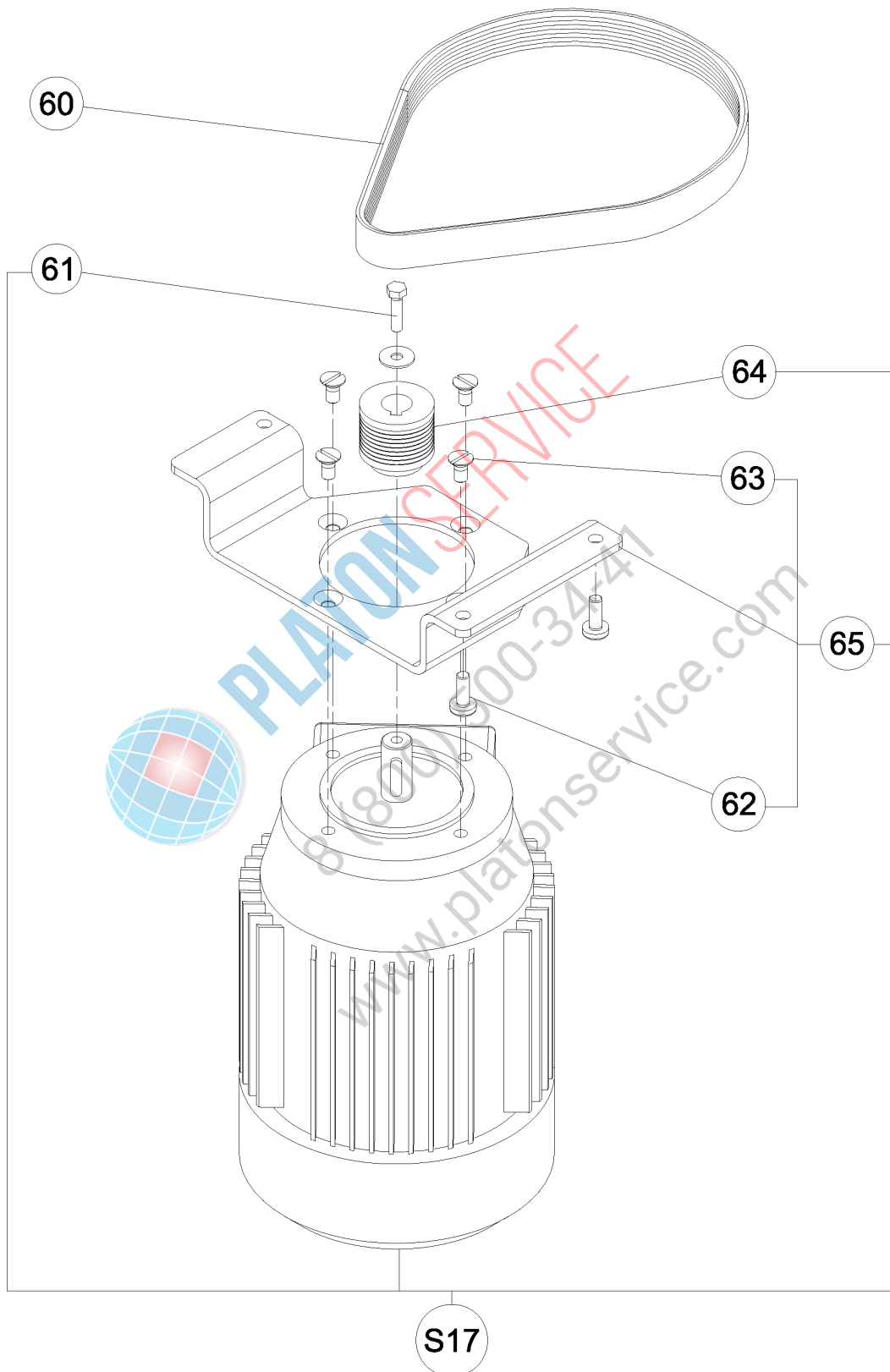


D

T10E/T15E FR 05 06

??????	603342								
??????	SPT10ET15E	???????? 4					Exploded view Mechanism		
.		Alias		S			.		(Euro)
0036	0D0507			S				SCREW; 10 PCS	23,83
0037	0KQ664							WASHER	8,37
0039	0D5278							DEFLECTOR; T10E	6,52
0040	0D3533			S				LIPPED SEAL 35X62X7 (SET X5)	36,48
0042	0KJ011			S	A			COTTER PIN FOR DRIVE SHAFT	51,34
0043	0K0394							HEATING BAR	
0046	0KJ007			S	A			BALL BEARING; 6203 2 RS	4,41
0047	0D5280							DRIVEN PULLEY; 50HZ T10/ T15E	83,01
0047	0D5281								
0048	0D0535							WASHER; 10 PCS	21,12
0049	0D0588							NUT; 10 PCS	22,69
0050	0D5282				D			SCREW; SELF-THREADING M4*8 T10E; 10 PCS	21,64
0051	0D3567				D			BRASS EARTH TERMINAL (SET X5)	19,80
0052	0KL111							WEDGE; 10 PCS	25,51
0053	000000								
0S12	653058							WASHING PLATE FOR 10/15KG VEG.PEELER	485,20
0S12	653184							ABRASIVE PL.-SMALL ONIONS-10/15KG PEELER	512,00
0S12	653203							ABRASIVE PLATE FOR 10/15KG VEG.PEELER	412,40
0S12	653204							KNIFE PLATE FOR 10/15 VEG.PEELER	640,00
0S12	653205							ABRASIVE PL.-LARGE ONIONS-10/15KG PEELER	512,00
0S12	653208							DRYING BASKET FOR 10KG VEGETABLE PEELER	386,70
0S12	653209							DRYING BASKET FOR 15KG VEGETABLE PEELER	386,70
0S12	653620							S/S SEASHELL PLATE - 10/15KG VEG.PEELERS	646,00
0S13	0D5283							DEFLECTOR; CPL; T10-15E	37,53
0S14	0D5212				D			SHAFT; ASSY	104,55
0S15	0D5284			S				MECHANISM; CPL; T10-15E	126,48

Vue éclatée Moteur / Exploded view Motor / Explosionszeichnung motor / Esploso motore/ Despiece motor \_\_\_\_\_



H

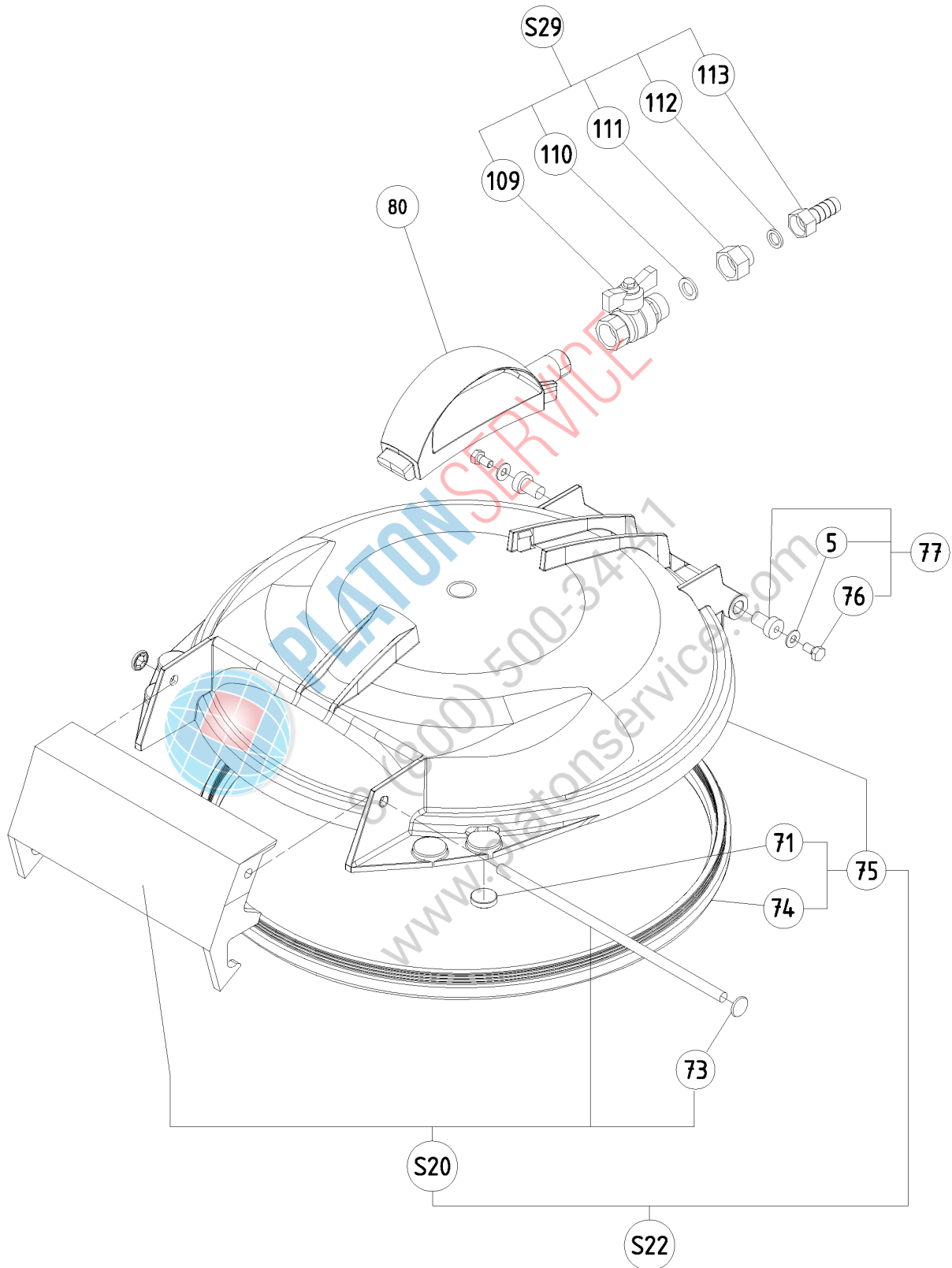
T10E/T15E FR 09 05

??????	603342								
??????	SPT10ET15E	???????? 8					Exploded view Motor		
.		Alias		S			.		(Euro)
0060	0D5279			S			BELT; 569 J8		19,45
0061	0D0501						WASHER; 10 PCS		20,13
0061	0KQ407						SCREW; 10 PCS		20,01
0062	0D3333						TAPTITE SCREW TORX; SET 10PCS:M6X16		23,53
0063	0U0669			D			SCREW (SOLD SINGLY)		20,88
0064	0D5285						DRIVING PULLEY; 50HZ T10/ T15E		24,15
0064	0D5286								
0065	0D5287			D			SUPPORT; MOTOR; CPL; T10-15E		59,80
0S17	0D5338						MOTOR; 220/240 50/60 EQ T10E		489,25
0S17	0D5344						MOTOR; 230/400 50/60 EQ T10E		262,44
0S17	0D5345			D			MOTOR; 115 60 EQ T10E/T15E		615,94



PLATON SERVICE  
 8 (800) 500-34-47  
 www.platonservice.com

**Vue éclatée Couvercle / Exploded view Lid/  
 Explosionszeichnung Deckel/ Esploso Coperchio /  
 Despiece Tapa**



??????	603342								
??????	SPT10ET15E	???????? 10	Exploded view Lid						
.		Alias		S		.			(Euro)
0005	0D0624					Kit		WASHER; SET 10PCS	4,09
0071	0D5110							MAGNET; 20*5 NEODYMIUM	25,40
0073	0D5290							CLIP; DIA. 8; 10 PCS	31,16
0074	0D5292			S				LID GASKET; T10E/T15E	60,33
0075	0D5293			S				LID; CPL; T10-15E	209,09
0076	0KQ494							SCREW; 10 PCS	20,88
0077	0D1306			S				T10/T15 COVER HINGE	23,00
0080	0D2998			S	A			WATER SUPPLY HOSE	35,34
0109	0KQ294							WATERINLET	34,51
0110	0D5294							GASKET; RUBBER 18*11*2; 10 PCS	32,83
0111	0D5613				D			REDUCER; MALE/FEMELLE MALE RED 15/12	5,45
0112	0D5614				D			GASKET; CAOUTCHOUC 10X15X2 (JEUX10)	25,93
0113	0D5615				D			RING NUT; D12	9,25
0S20	0D5291							HANDLE; LID; CPL; T10E	48,51
0S22	0D5296			S				LID; CPL; T10/15E	196,52
0S29	0D5611			S				BALL VALVE; EQ T10E	58,75

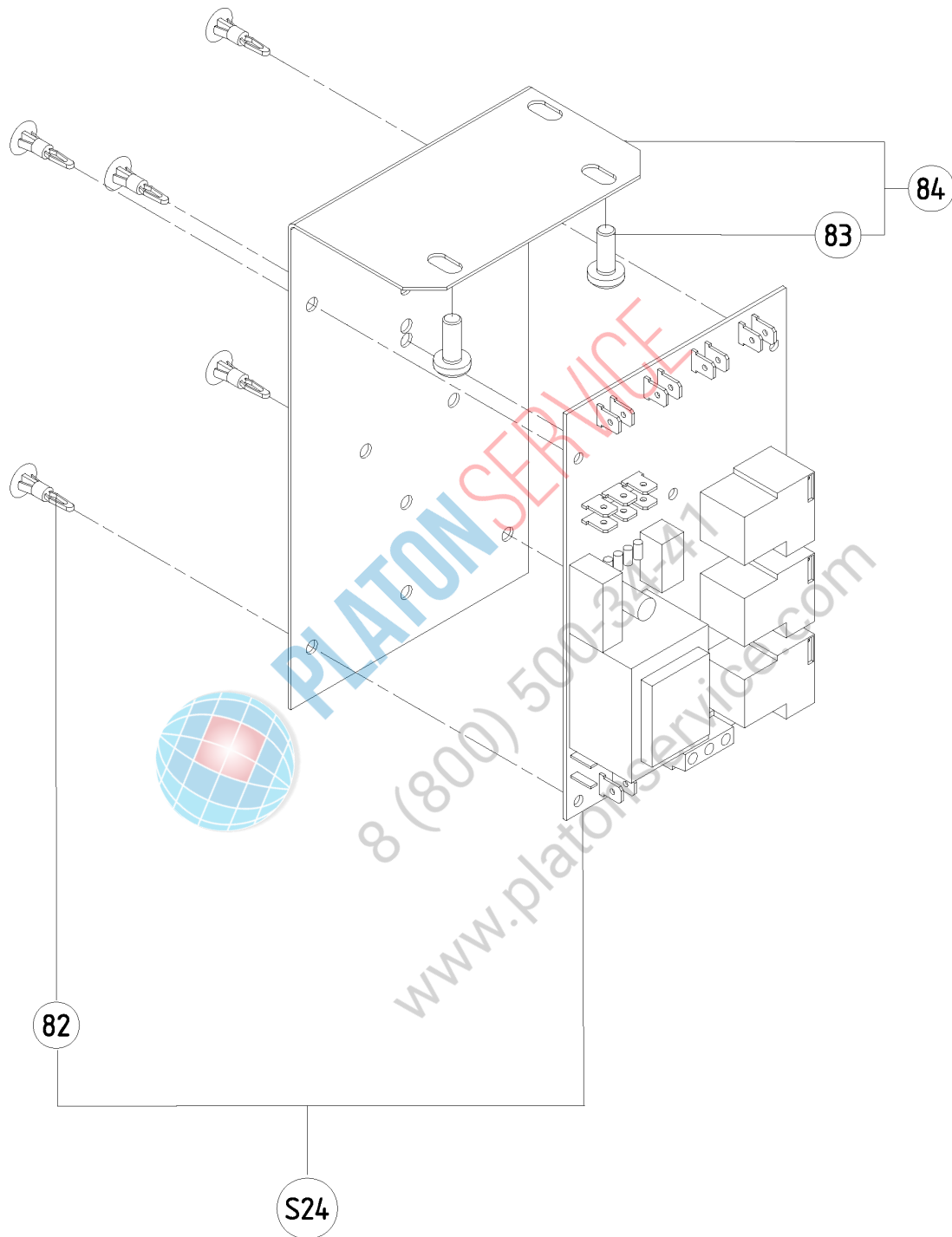


PLATON SERVICE  
 8 (800) 500-3441  
 www.platonservice.com



**Vue éclatée Platine/ Exploded view Power card/  
Explosionszeichnung platine/ Esploso Scheda/  
Despiece platina**

---



??????	603342								
??????	SPT10ET15E	????????	12					Exploded view Power card	
.		Alias		S			.		(Euro)
0082	0D2848							PRINTED CIRCUIT FIXING SPACER (SET X6)	22,47
0083	0D3333							TAPTITE SCREW TORX; SET 10PCS;M6X16	23,53
0084	0D5297				D			SUPPORT; CIRCUIT; CPL; T10-15E	43,70
0S24	0D3524			S				POWER CARD III ASSY PEELER	153,68
0S24	0D3525			S				POWER CARD I ASSY PEELER	175,62

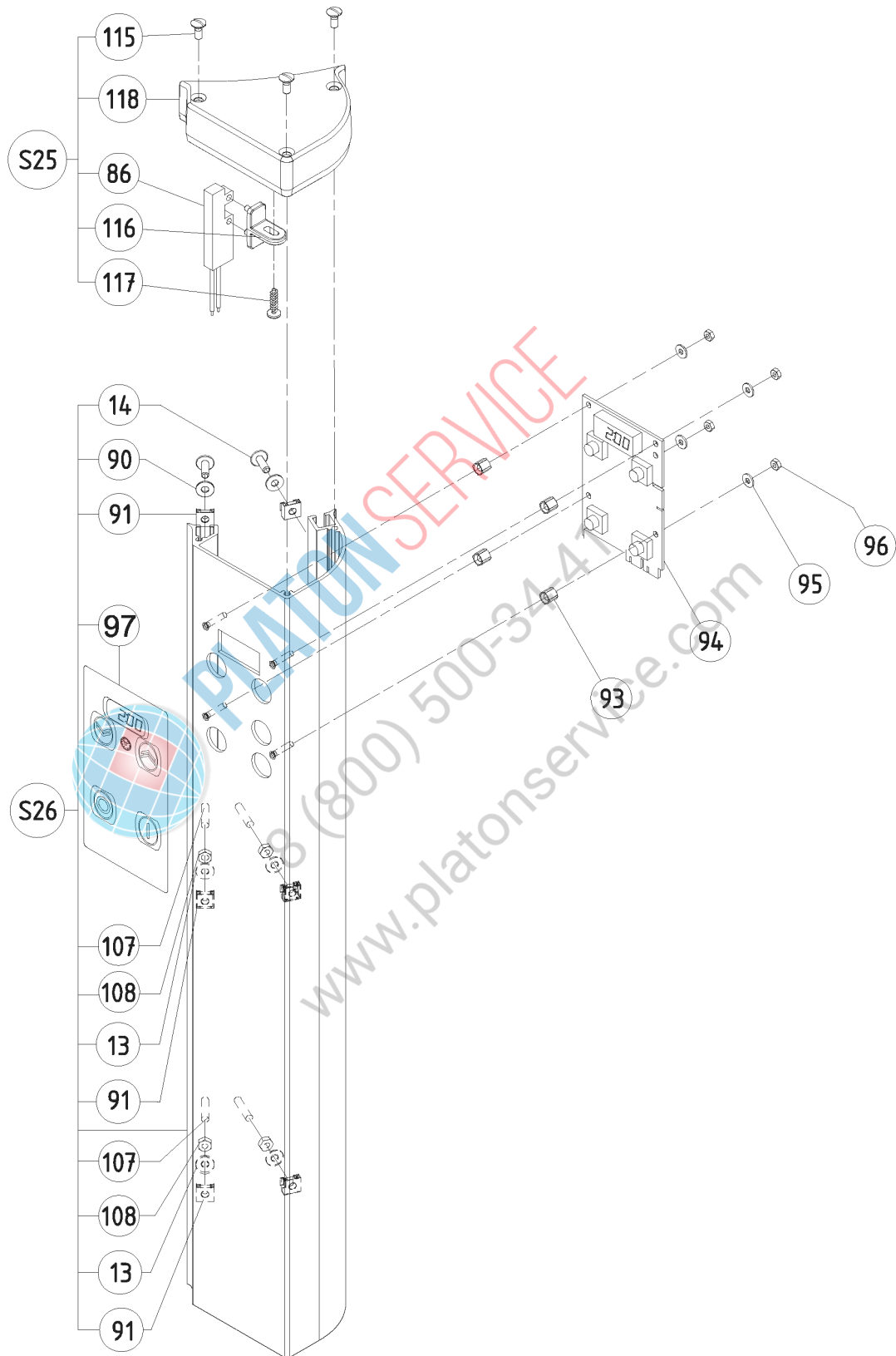


**PLATON SERVICE**

8 (800) 500-34-41

www.platonservice.com

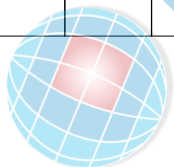
**Vue éclatée Boitier commande/ Exploded view control unit/  
Explosionszeichnung Steuergehäuse/ Esploso Quadro  
Comandi/ Despiece Caja de Mandos**



N

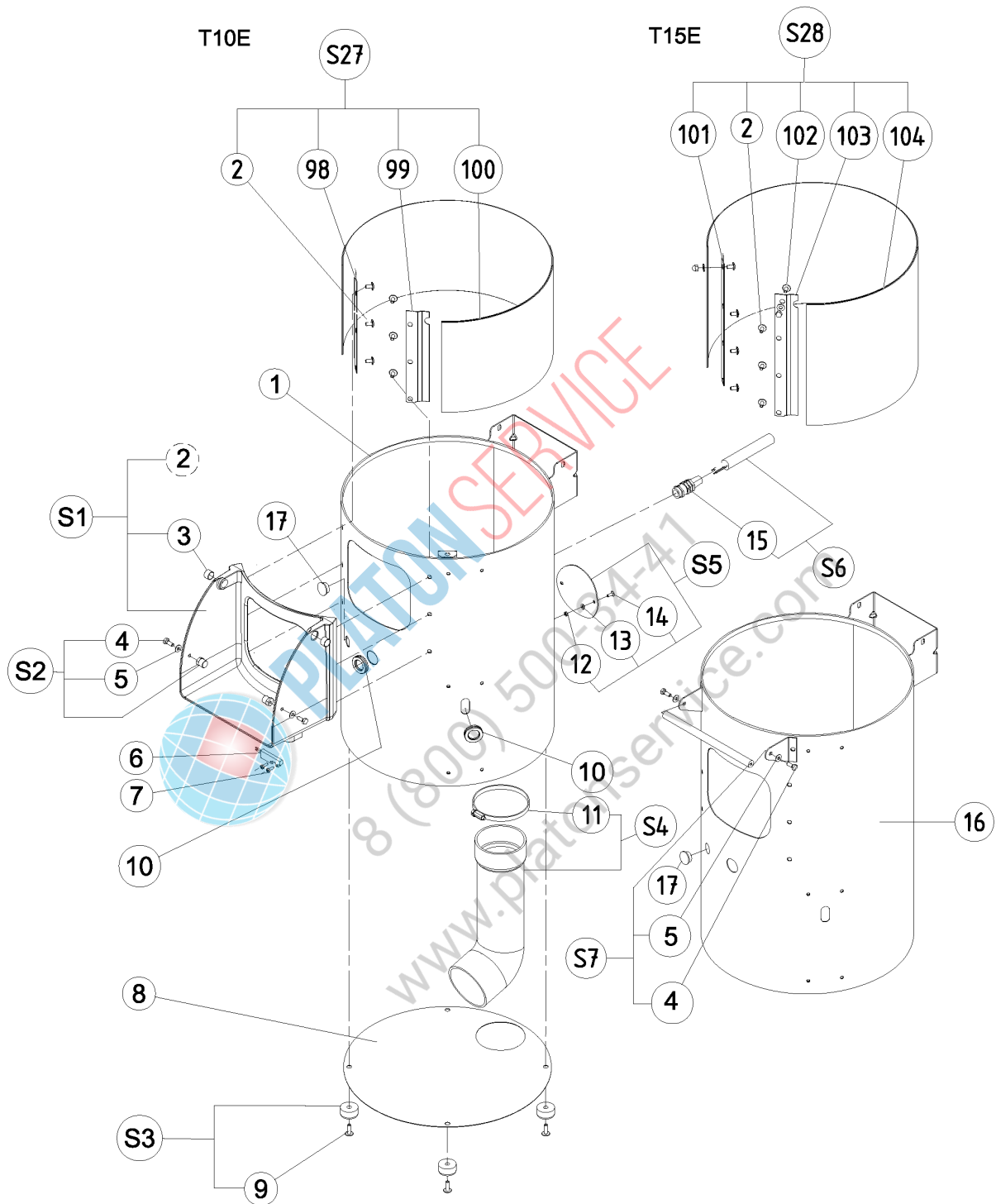
T10E/T15E FR 10 09

??????	603342								
??????	SPT10ET15E	???????? 14						Exploded view control unit	
.		Alias		S			.		(Euro)
0086	0D2670	24181						RELAY PLA ASSY ELX65	59,80
0090	0D5137							WASHER; PE 4.5*10*1; PCS 10	21,85
0091	0D1021					D		NUT; 10 PCS	23,83
0093	0D5190							SPACER; 10 PCS	23,83
0094	0D5299								
0095	0D5188							WASHER; PE M3; 10 PCS	22,27
0096	0D5404	33987	033987					NUT; HU M3 (JEU10)	
0097	0D5302							PLAQUE; TABLEAU BORD T10E	38,16
0097	0D5303							PLATE;TABLEAU BORD T15E	43,81
0107	0D5612					D		SCREW; SHC M4X25 (JEU X10)	22,27
0108	0KL159							NUT; 10 PCS	18,92
0115	0D3335							SCREW PT WN K40/12 XBE5 SET X10	22,47
0116	0D5517							SUPPORT; SECURITE TRK2	24,88
0117	0D1009							SCREW; 10 PCS	21,22
0118	0D5852							SUPPORT; SECURITE COUVERCLE NM	5,45
0S25	0D5300		0D7465					SUPPORT; SAFETY LID; CPL; T10E	
0S26	0D5208							GUIDE; CONTROL SUPPORT EQ	396,24
0S26	0D5301					D		GUIDE; CONTROL SUPPORT; CPL; T10E	159,96



PLATON SERVICE  
8 (800) 100-5117  
www.platonservice.com

# Vue éclatée virole / Exploded view Shell / Explosionszeichnung Ring



P

T10E/T15E FR 05 06

??????		603342									
??????		SPT10ET15E		???????? 16		Exploded view Shell					
.		Alias		S		.				(Euro)	
0001	0D5587				D			VIROLA; NM T10E		847,69	
0002	0D1017							SCREW; 10 PCS		22,27	
0003	0D1007				D			5 PCS SLEEVE 14X16X10		16,96	
0004	0D0499							SCREW; SET 10PCS; M6X16 INOX		20,66	
0005	0D0624					Kit		WASHER; SET 10PCS		4,09	
0006	0D6061		0D5191					PLA + BOITIER 2V (GAINÉ UL)			
0007	0D2851							TAPTITE SCREW CX 4X12 ZN (SET X10)			
0008	0D5269							BOTTOM PLATE; CPL T10E T15E		59,38	
0009	0U0237							SCREW; 10 PCS		23,10	
0010	0D3031				D			GROMMET 21X26X2 (SET X 10)		31,67	
0011	0D2891							COLLAR 80-100 T10/T15S SETX5		38,37	
0012	0KL159							NUT; 10 PCS		18,92	
0013	0D0631					Kit		WASHER; SET 10PCS		5,54	
0014	0D0532							SCREW; 10 PCS		19,91	
0015	0D2073							STUFFING BOX ASSY PL-CD4/8/13		50,60	
0016	0D5609				D			VIROLA; NM T15E		900,22	
0017	0D0892				D			PLUG; 4 PCS		22,69	
0098	000000								See S27		
0099	000000								See S27		
00S1	0D5610				D			SUCTION MOUTH; NM T10E/ T15E		279,13	
00S2	0D1605							PIN; KIT. 2 PCS		31,99	
00S3	0D5224							FOOT; 4 PCS; EQ T10S		27,49	
00S4	0U0406							OUTLET PIPE ASSY FOR PEELER		52,90	
00S5	0D2608				D			SHUTTER ASSY T10/T25E		41,40	
00S6	0D2667							PWR SPPLY CABLE THREE PH ASSY ELX65		39,73	
00S6	0D5196				D			CABLE; 1PH EQ ELX65		39,10	
00S6	0D5824				D			CABLE; MONO US EQ T10E/ T15E		37,21	
00S7	0D5270				D			COVER AXEL; CPL; T10-T15E		38,16	
0100	000000								See S27		
0101	000000								See S28		
0102	0D0583							SET OF 10 PCS BLIND NUTS M6		25,93	
0102	0D0601							SCREW; 10 PCS		23,10	
0102	0D0624					Kit		WASHER; SET 10PCS		4,09	
0103	000000								See S28		
0104	000000								See S28		
0S27	0D5738							ENSEMBLE ABRASIF; T10E		208,06	

??????	603342								
??????	SPT10ET15E	???????? 16	Exploded view Shell						
.		Alias		S		.			(Euro)
0S28	0D5739						ENSEMBLE ABRASIF; T15E		219,60



**PLATON SERVICE**

8 (800) 500-34-41

[www.platonservice.com](http://www.platonservice.com)